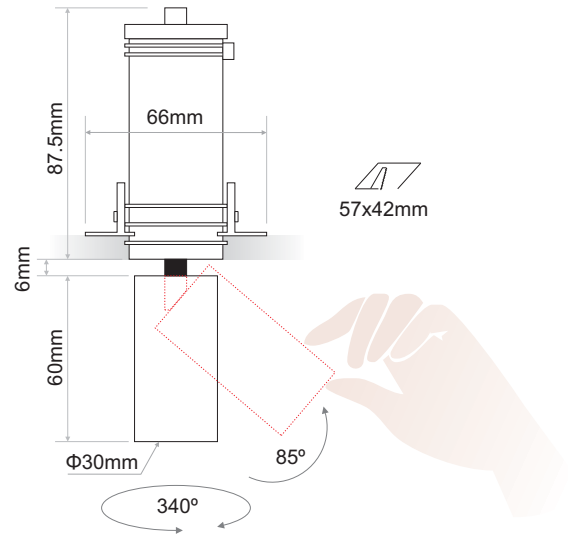
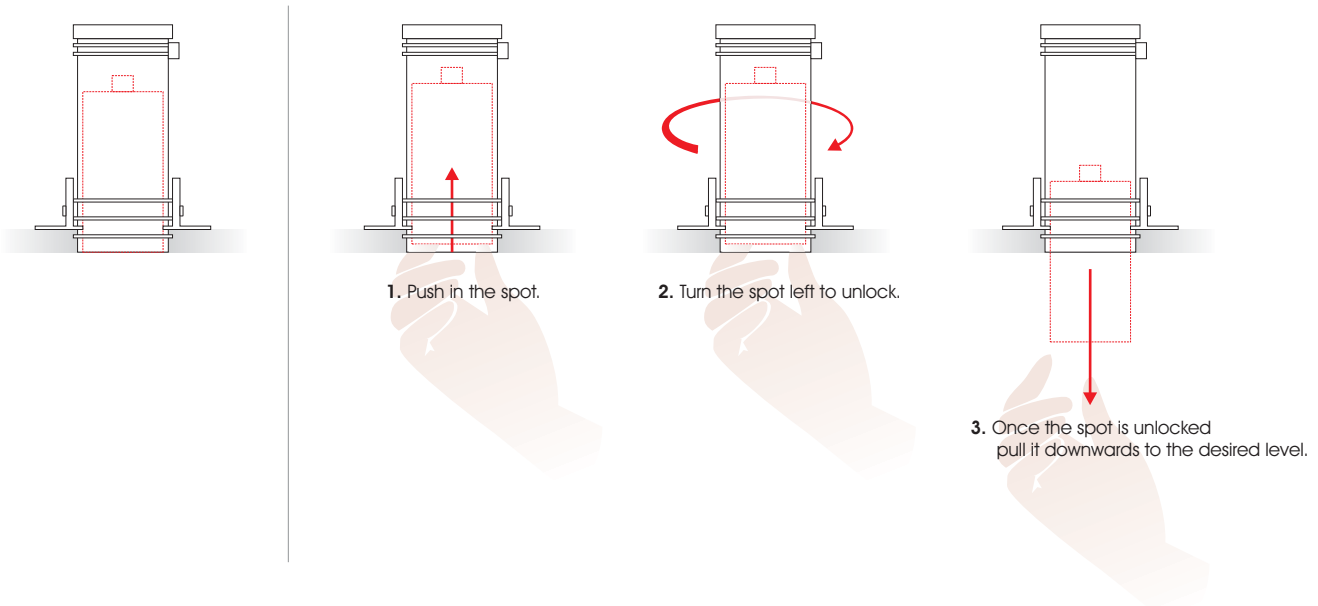


REFORM 30 IN-OUT TRIMLESS

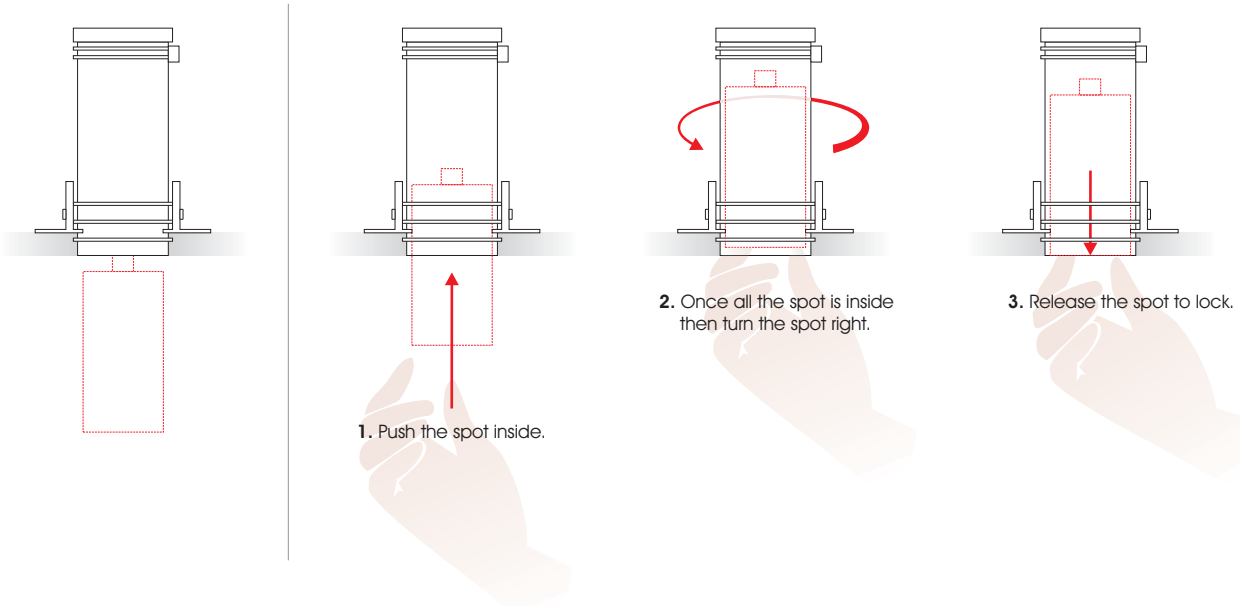
Installation Manual



To pull OUT the spot



To pull IN the spot

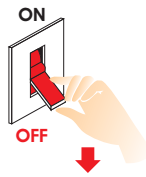


1



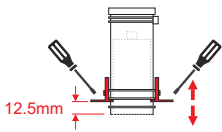
Attention

Before any maintenance switch off the main power.

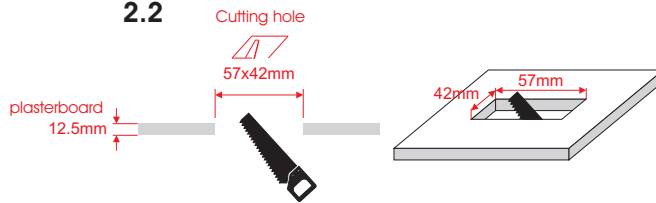


2

2.1

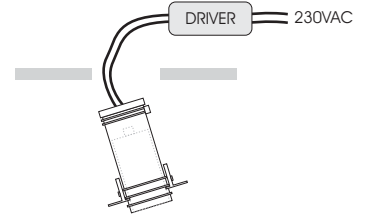


2.2



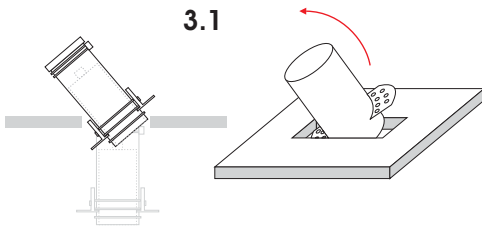
2.3

Connect the LED Driver at 230VAC.

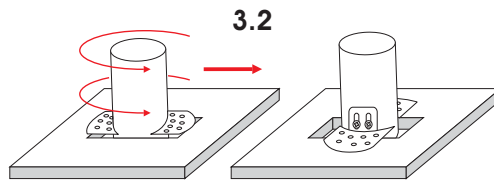


3

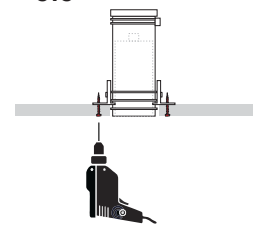
3.1



3.2

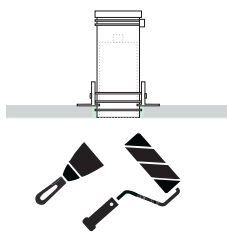


3.3

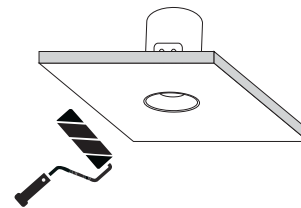


4

4.1



4.2



5

